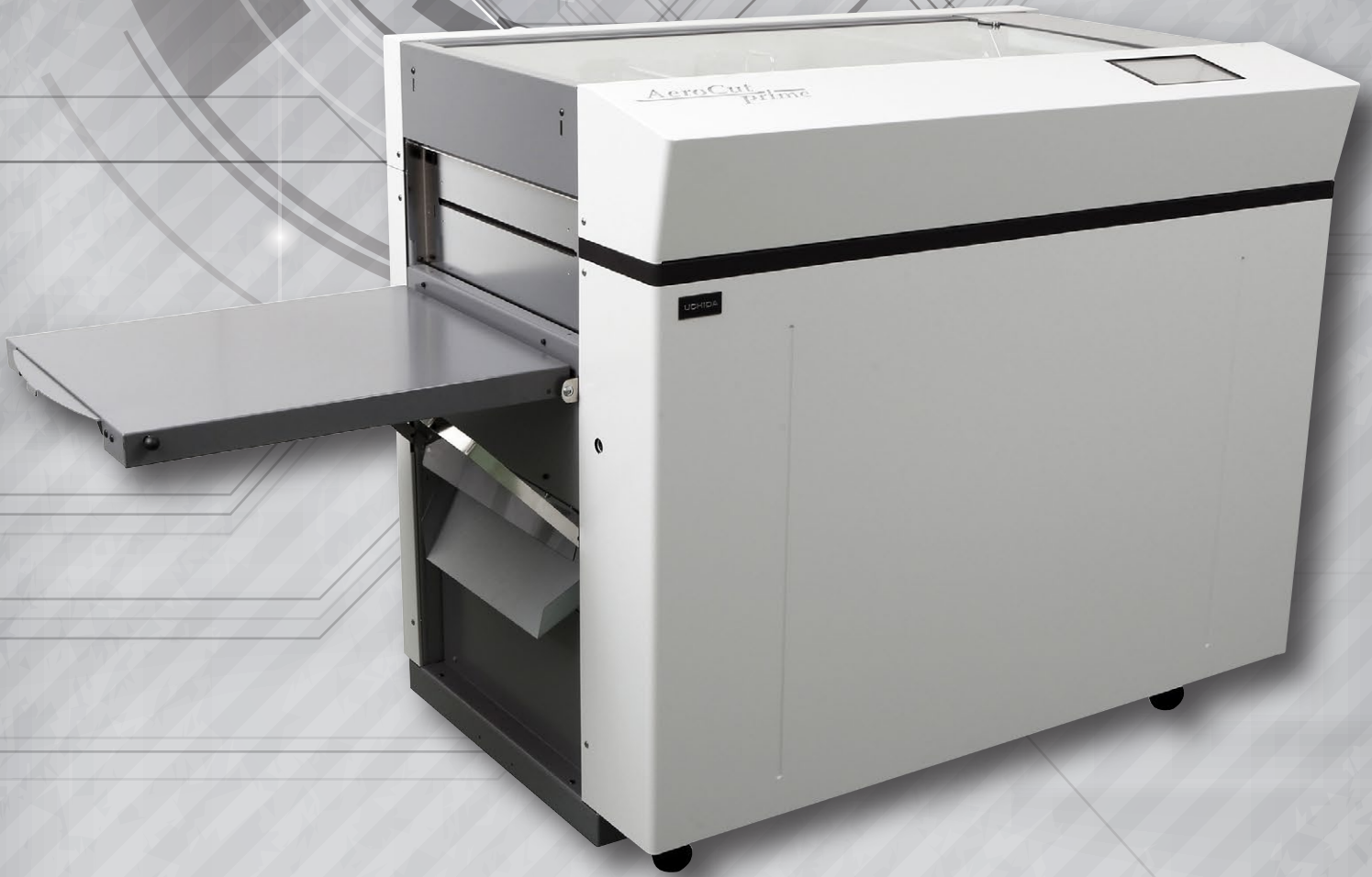


UCHIDA

UCHIDA CUTTER & CREASER **AEROCUT PRIME**



AeroCut Prime

The most productive and versatile digital finisher, ever.

The AeroCut Prime is the top-end slitter/cutter/creaser featuring technologies and knowledges stored since the launch of original AeroCut in 2009.

Laser-sharp accuracy.

The AeroCut Prime is designed, built and calibrated with Japanese engineering and craftsmanship at its best. The robust full-metal machine body keeps top level of accuracy and finishing quality every time.

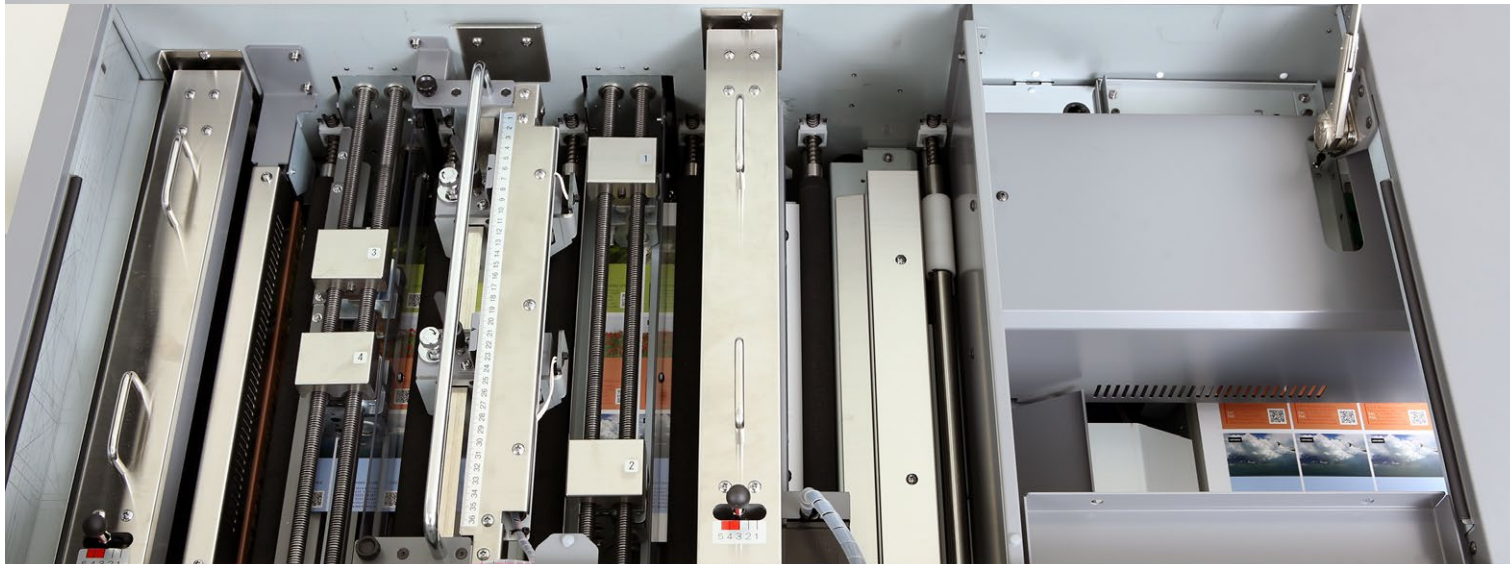
Great expandability.

The AeroCut Prime has capability to perforate stocks both across and along feeding direction by adding on optional perforating units. The AeroCut Prime Complete Package offers full versatility and convenience of the machine.

The ultimate weapon for digital printers.

AeroCut Prime is an ideal solution for finishing especially short-run digitally printed applications, such as business cards, post cards, invitations, greeting cards, leaflets, tickets and more. The AeroCut Prime saves times and costs for any print shops, in-house printers, commercial printers etc.

Basic Functions



Creasing Unit

The true rule & matrix creaser is equipped on the AeroCut Prime, allowing the machine to offer world-class creases on digitally printed stocks. Creasing pressure can be adjusted in 5 levels instantly by shifting the lever.

Slitting / Cutting Units

The AeroCut Prime features 2 single blade slitters to trim top & bottom margins of sheets, and 2 double blade slitters, bleed centre gutters and deflect wastes into a waste bin. The durable guillotine cuts stocks up to 400gsm in weight. All the slitter and guillotine blades are self-sharpening.

Feeding Unit

The AeroCut Prime feeds printed stocks one-by-one from the top of the ream on the feed tray. The air-suction top feed system feeds even coated stock precisely without damage. There are several features to ensure feeding several weights and qualities of stocks every time.

Features



Intuitive operation

Thanks to the built-in 7" touch screen, the AeroCut Prime allows operators to set job programmes and run the machine intuitively and instantly.



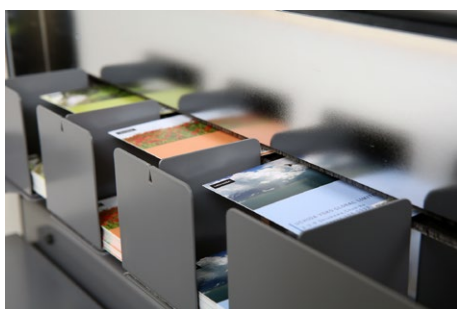
Expandable feed tray

The expandable feed tray is capable to feed stocks up to 680mm in length. Most of the stocks for today's digital print can be finished on the AeroCut Prime. The stacking capacity is 100mm.



Patented feeding mechanism

The patented "Tri-suction feeding mechanism" reduces risks of double-feeds and mis-feeds drastically, therefore it prevents paper jam inside and enhances productivity.



Robust slitters and guillotine

The self-sharpening slitters and a guillotine unit allows the machine to cut even 400gsm stocks crispy every time, for the long time.

* Depending on paper quality and surface finishing.



Instant job change

The AeroCut Prime can change jobs instantly, therefore is the ideal solution for finishing digitally printed applications, such as business cards, post cards, greeting cards, tent cards, tickets, leaflets etc.



Maintenance is easy

The AeroCut Prime now has detachable rollers, not only making cleaning easy, but gives better access to components in case of a paper jam.

Figures

370x680mm
14.5"x26.75"

Maximum paper size

400 gsm
stock

Maximum paper weight
*Depending on paper quality

268 preset jobs
150 customised jobs

Job memories

15,120 business cards
single cuts
as standard
22,500 business cards
single cuts
with option

Productivity *per hour, best efforts

6,720
post cards

Productivity *per hour, best efforts

1,260
A3 leaflets (centre crease)

Productivity *per hour, best efforts

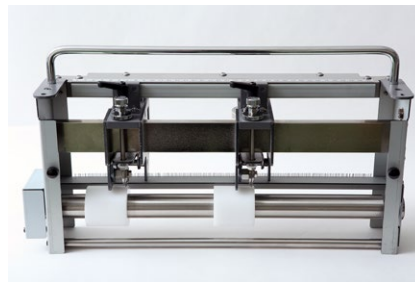
Specifications

Model	AeroCut Prime
Functions	Slit, cross cut, crease, *perforate, *score, *slit-score
Feedable paper size	210(W)x210(L) - 370(W)x680(L) mm
Minimum finished size	55(W)x45(L) mm
Paper weight	120 - *400 gsm *Depending on paper quality
Operation	7" touch screen
Job memories	263 preset jobs 100 + 50 customized job memories
Feeding mechanism	Upper belt tri-suction feed (Patented) Side blow Skew adjustment Side aligner Double feed detection Cut mark registration Feed tray stacking capacity 100mm
Speed (Sheets/min.)	9x 21up business cards (SRA3) 14x 8up post cards (SRA3) 15x 4up greeting cards (SRA3) 21x A3 leaflet + centre crease (SRA3)
Dimensions	1,177(W)x770(D)x1,050(H) mm
Footprint	2,018(W)x770(D) mm
NET Weight	260kg
Power supply	100-120V or 200-240VAC, 50/60Hz
Power consumption	single phase, 400W

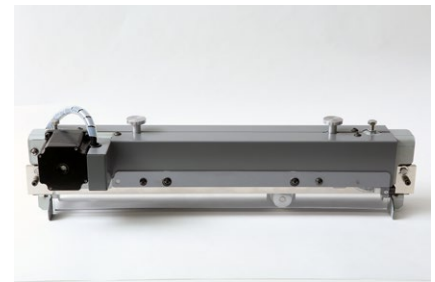
*Specifications are subject to change without notice.

Accessories

Option	Description	Complete Package
Belt conveyor delivery	750mm length conveyor tray. Finished products will be neatly delivered.	Included
Cross perforation unit	Enables the machine to perforate sheets across feeding direction. Both strike and partial perforation.	Included
Jump perforation unit	Including 2 pering wheels. Enables the machine to perforate sheets along feeding direction. Both full length and jump perforation.	Included
Bar code reader	Adds the machine capability to read barcode for job changing and preventing contamination.	Included
Plug-in software kit	Including LAN connector and plug-in software for Adobe Indesign. Allows operators to create perfect programs and bar codes for AeroCut on laptops and send them to the machine.	Included
Business card slitter unit	Allows the machine to slit and cut 25up full-bleed business cards out of a SRA3 sheet.	Option
Ionizer	Prevents double feeds and mis-feeds at feeding unit.	Option
Standard delivery tray	A standard delivery tray capable to stack finished products up to 680mm in length. Optional for the complete package.	Option

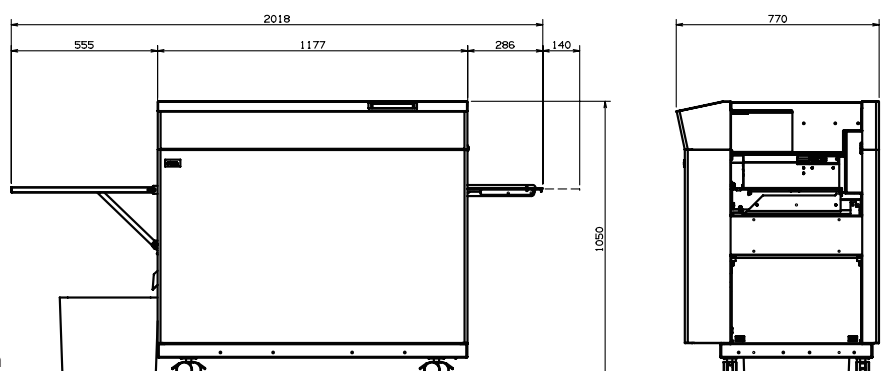


Jump perforation unit



Cross perforation unit

Dimensions



UCHIDA YOKO GLOBAL LIMITED

4-7 Shinkawa 2-Chome, Chuo-ku Tokyo, Japan
Tel: +81(3)3555 4781 Fax: +81(3)3555 6423
Email: sales@uchidayoko.com Website: www.uchida-machinery.com